

One system for all

The TCF2 Series

The Thickness Compensating Friction feeder (TCF) offers users the opportunity to count, batch and dispense a wide range of products and materials that are difficult or impossible to count using traditional methods. Typical applications include the feeding and counting of envelopes (empty or stuffed), booklets, cards, bags, flat boxes and pharmaceutical inserts.

DIAGNOSTIC TEST



OPEN HOPPER FOR LOADING ON THE RUN



QUICK AND EASY SET-UP



SACHETS



BRaille REMAINS INTACT



COUNTS A WIDE RANGE OF PHARMA INSERTS



SACHETS



Versatility for the
Pharmaceutical Industry

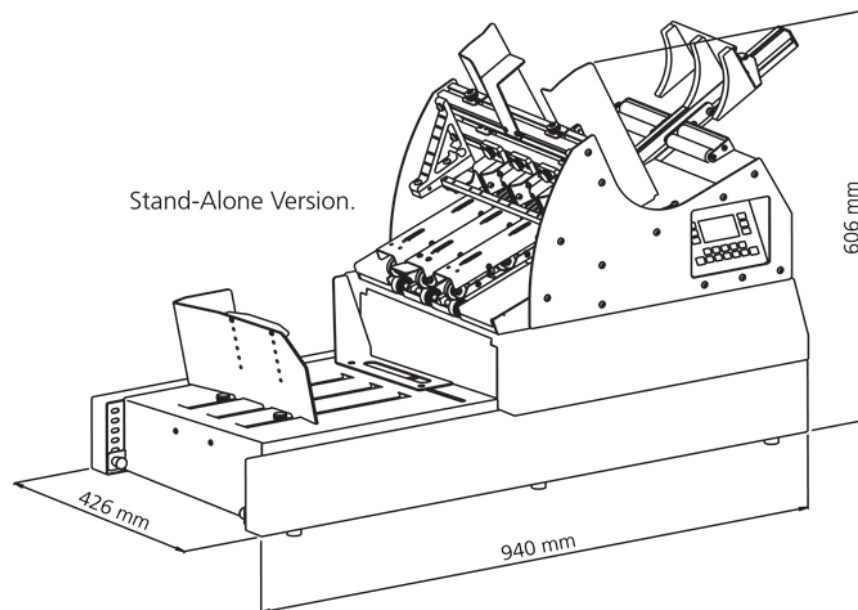


Technical Information

* The output rate is dependent on the size of the sheet being fed. Typically, an A5 size sheet fed long edge first could output at up to 8 sheets per second.

All counting speeds, cycle times and paper weight ranges stated are the results of tests carried out under factory conditions. Actual results may vary depending on paper weight, quality and presentation.

Vacuomatic have made every effort to ensure the accuracy of the information contained within this brochure. Vacuomatic operate a research and development programme which drives continuous product improvement. The services and product specifications contained within this brochure may change without notice.



Overall Weight	In Line Feeder 20.7 kg	Stand-Alone Feeder 38.5 kg
Input Voltage Range	90-264 VAC, 47-63 Hz	
Max. Input Current	1.7A at 115VAC 0.9A at 230VAC	
No Load Input Power	Less than 0.5W	
Output Power	180W max.	
Output Voltage	24 VDC	
Width of Sheet Leading Edge	56 to 325mm	
Length of Sheet in Direction of Feed	85 to 325mm	
Batch Size 1 to 999	1 to 999, variable batching up to 50 lines	
Sheet Thickness	up to 15mm in 5 steps, 0-1mm, 0-5mm, 3.8-8.5mm, 7-12mm, 10.5-15mm	
Hopper Capacity Stack Height	up to 230mm, or optional 370mm, Total Stack Weight : up to 5kg	
Delivery Tray Capacity (where fitted)	up to 115mm	
Speed*	The output belt speed of the feeder is operator adjustable up to 2.1m/s	
Options	Label Printer USB input required, RS232 for external communication.	

Vacuomatic Ltd.

8 Brunel Way, Colchester, Essex, CO4 9QX, United Kingdom
 Tel: +44 (0)1206 841100 Fax: +44 (0)1206 841166
 Email: enquiries@vacuomatic.com

Vacuomatic Maschinen GmbH.

Emmericher Str. 31, D-46485 Wesel, Germany
 Tel: +49 (0)281 33995 0 Fax: +49 (0)281 33995 20
 Email: info@vacuomatic.de

www.vacuomatic.com

